

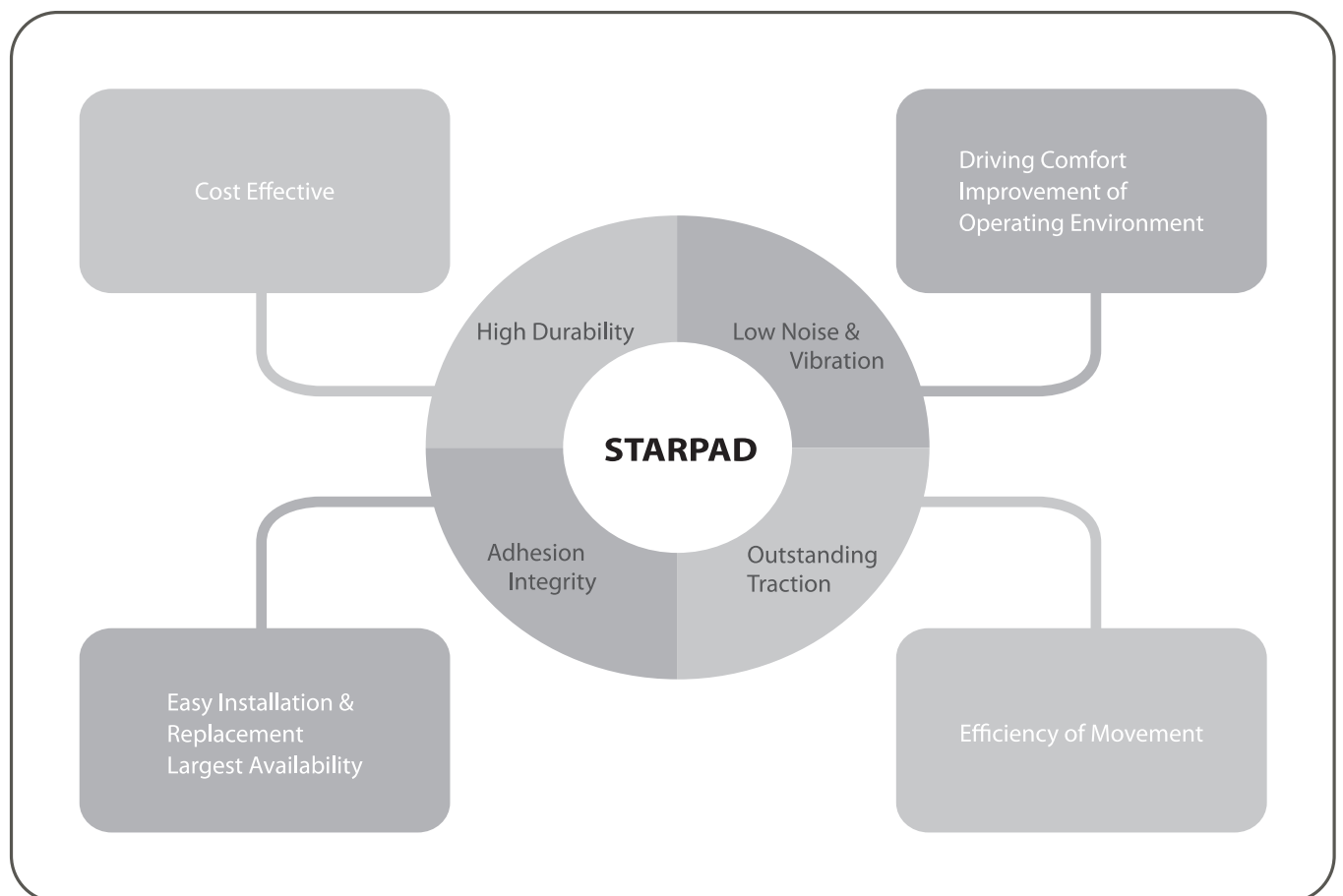


STARPAD



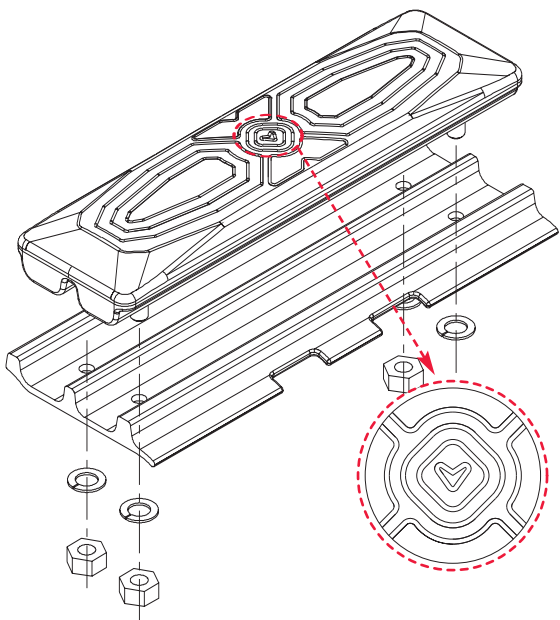
Founded in 1945, DRB has the highest technology and ability gained from abundant experience in diverse business scopes related to rubber such as Power Transmission Belt, Conveyor Belt & System, Rubber Track & Undercarriage, Construction Material, and Seismic Isolation & Vibration Control.

DRB's STARPAD boasts a good performance including high durability and low noise & vibration by making up for the technical disadvantages of the steel track which is used for construction, agriculture and transportation. On the basis of that, STARPAD can provide significant advantages such as cost effective, driving comfort, and so on. Thereby, STARPAD can satisfy our customers with high quality and service.



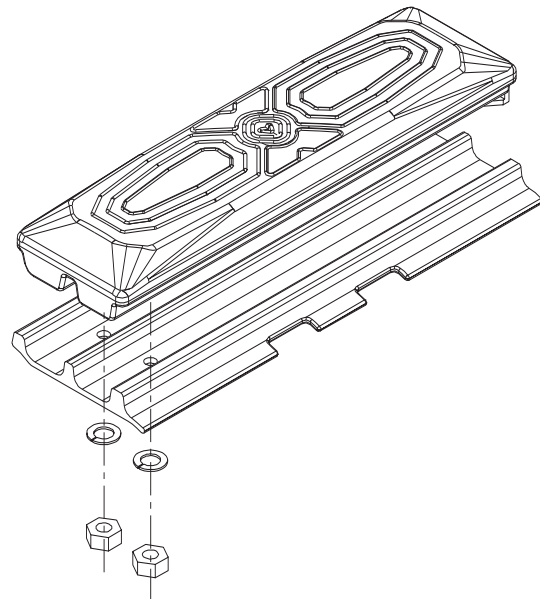


Bolt-on Type



- 1** Place STARPAD in the pre-drilled bolt hole on the steel shoe. (The direction of arrow on top of STARPAD should be toward the driving direction of Machine.)
- 2** Connect STARPAD with spring washers and nuts then tighten with an air impact wrench.
- 3** Tighten the nuts with a torque wrench again.
- 4** Completion.

Clip-on Type

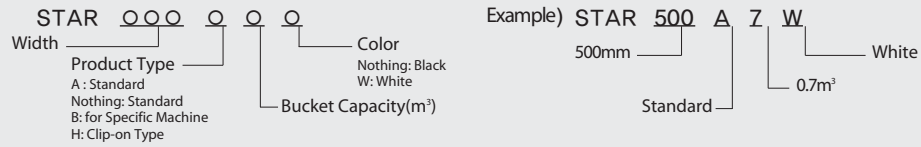


- 1** Place STARPAD's clip part toward the inner side of the steel shoe.
- 2** Connect STARPAD with spring washers and nuts from bottom side of the steel shoe.
- 3** Nuts must be tightened to specified torque with a wrench.
- 4** Completion.

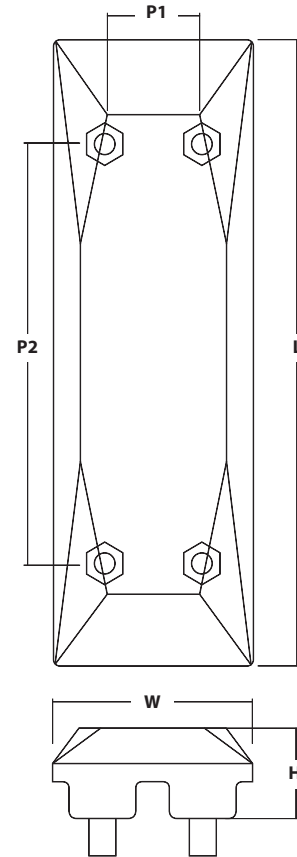
Product Model Maker	STAR 230		STAR 250		STAR 300		STAR 350		STAR 350A2	
	KOMATSU	PC 05-7	64	PC 10-6	76	PC 27MR	80			PC 40MR-3
PC 12MR		64	PC 12UU	76	PC 28UU	80				
PC 15MR		72	PC 10-7	76	PC 30MR	86				
PC 18MR-3		72	PC 20MR	78	PC 35MR	86				
			PC 20UU-3	78	PC 30UU	86				
					PC 38UU-2	86				
					PC 38UU-3	88				
					PC 35MR-3	102				
HITACHI	EX 12	64	ZX 20U	78	ZX 27U	80	EX 33	86		
	EX 14	64			ZX 30U / UR	84				
	EX 15	64	EX 18-2	74	ZX 30U-2	88				
	EX 15U	74	EX 22	74	ZX 35U-2	88				
			EX 20U-1	86	EX 27U	80				
			EX 20U-3	78	EX 30UR-3	84				
SHIN CATERPILLAR MITSUBISHI	REGA 301.5CCR	72	REGA 302CCR	80	REGA 303CCR	92				
			REGA 302CSR	80	REGA 303CSR	86				
					REGA 303CR	86				
	MM 15T	64	MM 20CR	76	REGA 303SR	86				
			MM 20SR	76	REGA 303CR	102				
					REGA 303.5CCR	92				
					MM 30T / 30SR	82				
					MM 35T / 40SR	86				
KOBELCO	SK 13SR	72	SK 20	78	SK 30SR / UR-3	82	SK 032	86		
	SK 15SR	74	SK 20UR / SR-2	74	SK 30UR-2 · 3	84	SK 035	86		
			SK 20SR-3	78	SK 30SR-5	90	SK 35SR-1	90		
			SK 25SR-2	78	SK 30SR	102				
					SK 35SR-2	90				
					SK 35SR-5	90				
SUMITOMO	SH 15J	66	SH 25J	72	SH 30J	80				
	SH 18J	72			SH 30JX	86				
					SH 32J	84				
					SH 35J	86				
					SH 35JX	92				
KATO										
YANMAR			VIO 20	84	VIO 27-2	82				
			VIO 20-2	88	VIO 30-2	86				
					VIO 35-2	86				
KUBOTA			B 2J	88	B 3J	86				
					B 4U	86				
	U 15	74	KX 021	74	U 25-3	82	KH 030	82		
			K 020	78	K 030	82	K 035-1	86		
			K 022	78	U 30-3	86	K 035-2	86		
			U 20-3	86	U 35-3	86	KH 033	86		
IHI					RX 303	86	K 038	90		
					RX 403	86				
	IS 15J	66	IS 25F / G / J	72	IS 30NX	84				
	IS 18J	72			IS 30JX	86				
				IS 35F / J / GX	86					
				IS 35JX / NX	92					
TAKEUCHI			TB 20R	86	TB 28FR	82	TB 135	86		
					TB 125	78				
AICHI										

STAR 400A2 STAR 400A2W		STAR 450A2 STAR 600A2		STAR 450B2		STAR 500A4 STAR 600A4 STAR 700A4		STAR 500A7 STAR 500A7W		STAR 500BH4	
PC 40-6	74	PC 60-7 / 70-7	76			PC 100-6	80	PC 160LC	88	PC 100-5 · 6	80
PC 40-7	76					PC 120-6	84				
PC 40MR-2	78	PC 75UU / US	78			PC 128UU / US	84			PC 120-6	84
PC 45MR	76					PC 138UU / US	84			PC 128UU / US	84
PC 50UU-2	76	PC 78UU / US	78								
PC 50MR-2	78					PC 120-8	86			PC 138UU / US	84
PC 55MR-3	78					PC 128UU/US-8	86				
PC 58UU-3	78					PC 138UU/US-8	86				
ZX 40U	76	ZX 70 / BL	76			ZX 110	82	ZX 130MT	84		
ZX 40U-2	78	ZX 75US / UR	80			ZX 120	88				
ZX 50U	78	ZX 80LCK	80			ZX 125US	88	ZX 160LC	86		
ZX 55U	76					ZX 135US	88	ZX 180LCN	92		
ZX 55UR	78	EX 60-5	76			ZX 140US	88	ZX 185USR	86		
		EX 70	76			EX 100-3	82				
EX 58MU	78	EX 75UR-5	80			EX 120-5	88				
		EX 80U	80			EX 135US / USR	88				
REGA 304CR	76	REGA 307B / C	76	REGA 307SSR	84	REGA 311D	82	REGA 315C	82		
REGA 305CR	76			REGA 308BSR	88	REGA 312D	86				
REGA 304CCR	80	REGA 308CCR/SR	80	REGA 308BCR	88	REGA 313DCR	86	REGA 318			
REGA 305CCR	80										
		REGA 308CSR	80			REGA 314CCR-3	86				
MM 40CR	76	REGA 308CCR	80								
MM 55SR	76										
SK 40SR	72	SK 60	76			SK 115SR	82	SK 135LC	90		
SK 40SAR-3	76	SK 60SR	78			SK 120UR	88	SK 170	90		
SK 45SR	76	SK 70SR / UR	78			SK 130UR	88				
		SK 90UR	80			SK 135SR	88				
SK 50UR / SR-3	76	SK 95UR	80			SK 135UR	88				
						SK 135SRLC	92				
SH 40 / JX / UJ-2	76	SH 75X-3 / XU-3	78			SH 100	84				
SH 45J / UJ	76					SH 120	88				
SH 50DX2	78					SH 120LPC	94				
SH 55UJ	78					SH 125X-3	86				
SH 55U-2 / US / J-2	76					SH 125XU-3	88				
SH 65U-2 / US	82										
HD 50UR	78	HD 308US	78	HD 250V2	88	HD 400V2	82				
						HD 450V2	86				
HD 205 / UR	78			HD 307	86	HD 502	82				
						HD 510	82				
						HD 512	88				
						HD 513MR	88				
						HD 550V2	90				
						HD 550GSE	90				
		B 7U	78								
KX 040	76	KX 60-5	76			KX 120	88				
KX 045	76	KX 75UR-1	78			KX 120-5	88				
		KX 75UR-3	78			KX 135UR	88				
U 40-3	78	KX 75UR-5	80								
U 50	78										
RX 503	78										
RX 505	78										
IS 40JX	76	IS 65UJ	74			IS 110J	82				
IS 40VX	78					IS 120J	88				
IS 45NX	76					IS 145	88				
TB 145	76	TB 175	78			TB 1140	88				
TB 153FR	76	TB 180FR	78								
SR 10A	80			SR 12B	80					SR 18A	80
SR 12A	80									SR 21A	80
SR 12B	80										
										SR 182	80
										SR 210	80

Description of Product Code



Product Model	W	L	H	P1	P2	Bolt(d)
STAR 230	65	225	37	-	150	M12
STAR 250	68	245	37	-	200	M12
STAR 300	68	295	37	-	200	M12
STAR 350	68	345	37	-	200	M12
STAR 350A2	108	345	38	46	250	M12
STAR 400A2	108	395	38	46	300	M12
STAR 400A2W	108	395	38	46	300	M12
STAR 450A2	125	445	49	58	350	M14
STAR 450B2	108	445	38	46	350	M12
STAR 500A4	135	495	59	60	400	M16
STAR 500A7	132	495	72	69	400	M20
STAR 500A7W	132	495	72	69	400	M20
STAR 500BH4	135	505	53	60	-	M16
STAR 600A4	135	595	59	60	500	M16
STAR 600A7	142	595	70	69	400	M20
STAR 600A9	165	590	73	74	400	M20
STAR 600B7	135	595	72	65	400	M20
STAR 700A4	135	695	59	60	600	M16
STAR 700A7	142	695	70	69	500	M20
STAR 700A9	155	695	75	74	500	M20
STAR 800A7	142	795	70	69	600	M20



Instruction

- (1) Remove any foreign objects thoroughly from the steel shoe when the existing machine is equipped with STARPAD.
- (2) Upon placing STARPAD onto the steel shoe, tighten washers and nuts from bottom side of steel shoe into the STARPAD.
- (3) STARPAD must be tightened with an impact wrench first and then retightened with a torque wrench.
- (4) After quick back and forth running of the machine, retighten nuts to the appropriate specified torque. The nuts should be tightened every 100 hours regularly.
- (5) Before operating the machine, be sure to check the status of nuts.

Caution

- (1) STARPAD is basically designed to use on the pavement.
- (2) When the machine is operated on other conditions, remove foreign objects which can cause separation or deformation of STARPAD.
- (3) When checking the machine, check bolts and nuts condition of STARPAD together.
- (4) Avoid fast turning on rough surfaces and sharp projections.
- (5) Keep STARPAD clean from mud and other foreign objects.
- (6) Keep all rubber surfaces of STARPAD free of oil, fuel and any of lubricant.
- (7) Use a trailer or truck to transport the machine equipped with STARPAD to another place.
- (8) Do not keep STARPAD under direct sunlight, rain and snow for a long time

DRB Industrial Co., Ltd.

Headquarters DRB

28, Gongdandong-ro 55beon-gil, Geumjeong-gu, Busan, Korea
Tel. +82-51-520-9271 Fax. +82-51-523-2537

Plant

DRB / Busan

28, Gongdandong-ro 55beon-gil, Geumjeong-gu, Busan, Korea
Tel. +82-51-520-9000 Fax. +82-51-526-7723

DRB / Yangsan

39, Sanmakgongdanbuk 2-gil, Yangsan-si, Gyeongsangnam-do, Korea
Tel. +82-55-371-9000 Fax. +82-55-387-1289

DRB China / Qingdao

East Industrial-zone, Lancun, Jimo-city Qingdao Shandong Province, China
Tel. +86-532-8259-9012 Fax. +86-532-8259-6509

DRB China / Chongqing

No. 999, Xingguang Rd, Phoenix Lake Industrial Park, Yongchuan District, Chongqing, China
Tel. +023-49222086

DRB Slovakia

Robotnicka 2198, 017 01 Povazska Bystrica, Slovakia
Tel. +421-42-445-0400 Fax. +421-42-426-2291

DRB Vietnam

F-1-CN & F-7-CN, KCN My Phuoc II Industrial Park, Ben Cat District, Binh Duong Province, Vietnam
Tel. +84-650-3556-070 Fax. +84-650-3556-078

Sales Office

DRB / Track System Sales Team

28, Gongdandong-ro 55beon-gil, Geumjeong-gu, Busan, Korea
Tel. +82-51-520-9271 Fax. +82-51-523-2537

DRB America

16811 Knott Ave. La Mirada, CA 90638, U.S.A
Toll Free. +1-888-860-4450 Tel. +1-714-739-2922 Fax. +1-714-739-2925

DRB China

Room 503 Building Zhidi, No 201, Chengjiaqiao branch Rd, Shanghai, China
Tel. +86-21-5422-5691 Fax. +86-21-5422-5697

DRB Indonesia

Wisama Korindo Lt.5 Jl. MT. Haryono Kav.62, Pancoran, Jakarta 12780, Indonesia
Tel. +62-21-797-6232 Fax. +62-21-797-5987

DRB Vietnam

Tang4, No.17, 172/1 Nguyen Tuan Street, Nhan Chinh Ward, Thanh Xuan District, Hanoi, Vietnam
Tel. +84-4-6285-4028 Fax. +84-4-6285-4029

DRB Japan

7F, CR Hakata Bldg., 1-8-6, Hakataeki-minami, Hakata-ku, Fukuoka-city, 812-0016, Japan
Tel. +81-92-481-7303 Fax. +81-92-481-7307

※ No content in this catalog may be copied without our prior consent under the intellectual property protection law.

※ Please be sure to check the current specifications of a product as those stated in this catalog may be changed without a prior notice.



RU-C-170103-EN